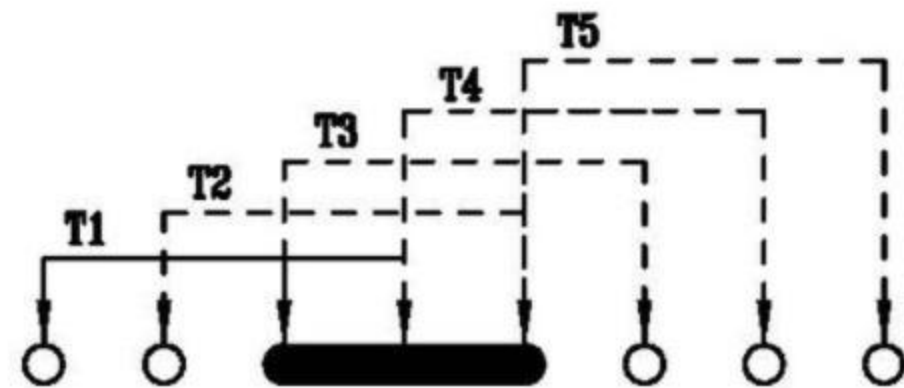
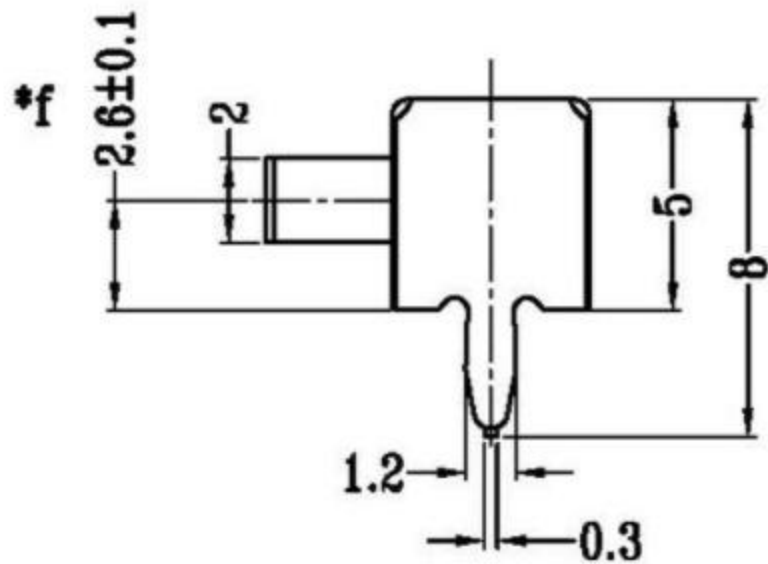
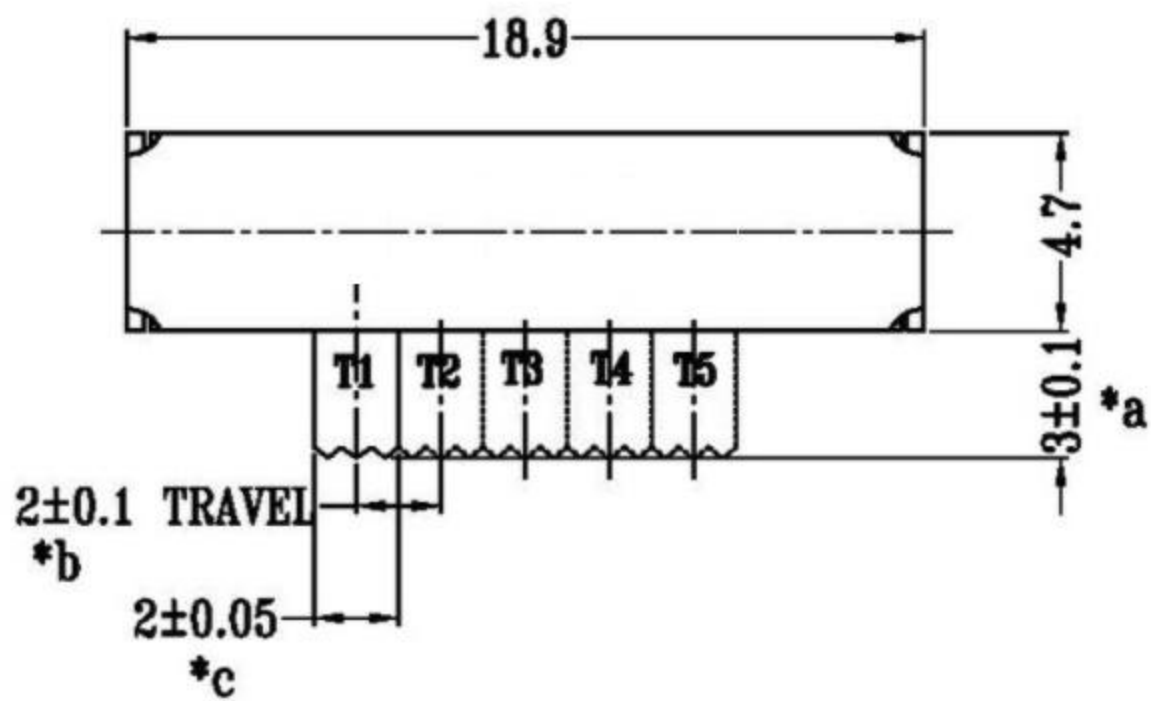
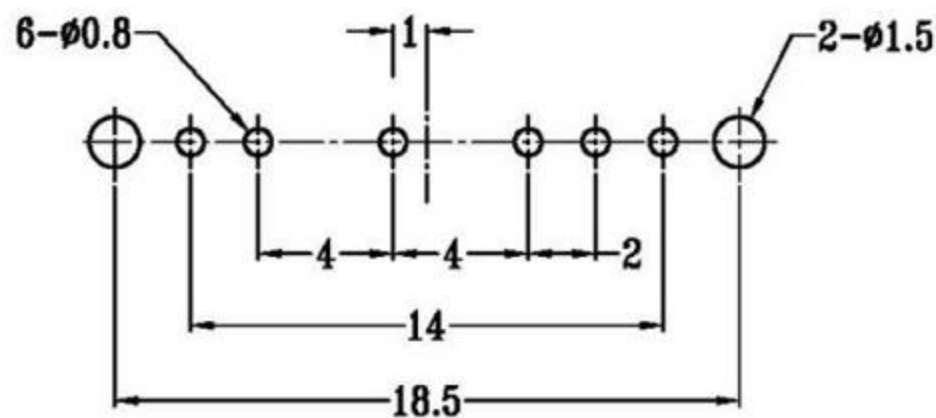
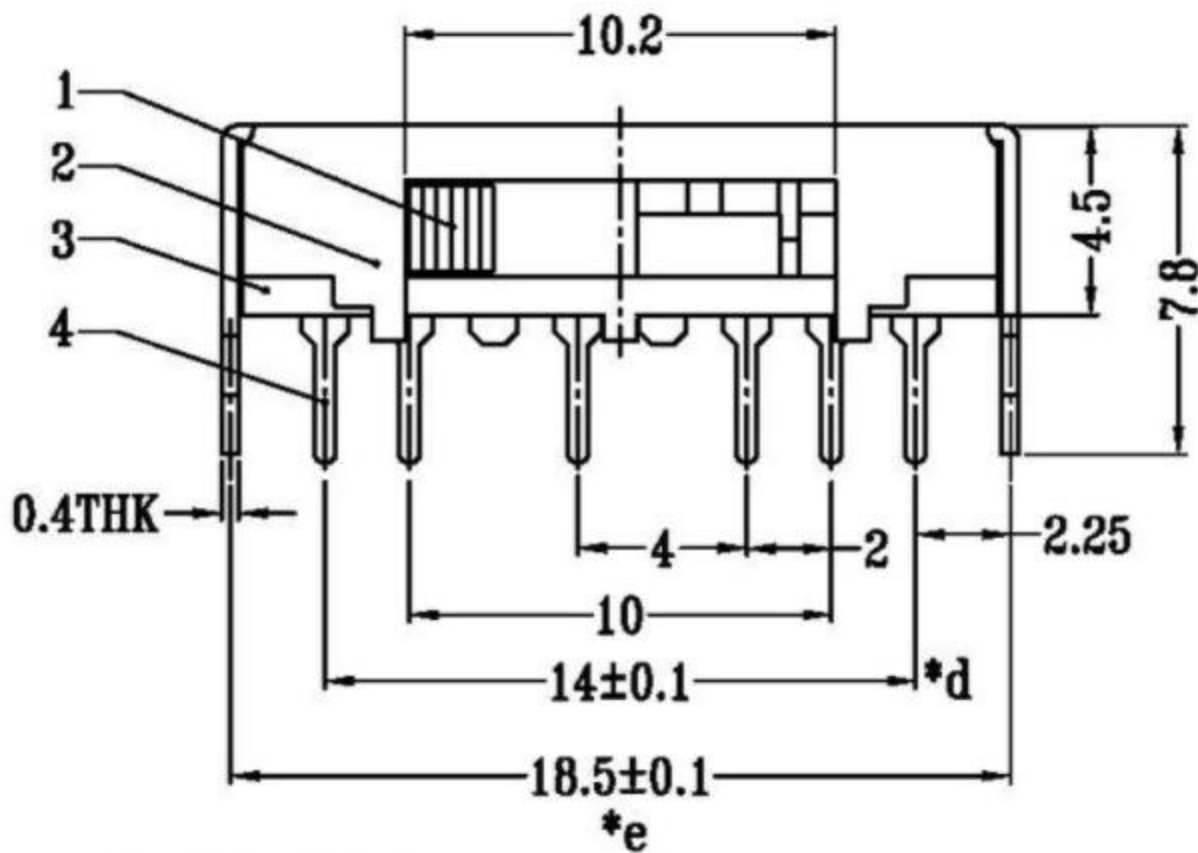


CAD FILE:



**SCHEMATIC (SHORTING)**



**P.C.B LAYOUT  
BOTTOM VIEW**

拨动开关侧拨技术参数:

1. 额定负荷: DC 30V 50V 0.3A 0.5A
2. 接触阻抗:  $\leq 50m\Omega$
3. 绝缘阻抗:  $\geq 100m\Omega$  DC500V
4. 耐焊温度:  $250\pm 5^\circ$  5s
5. 使用寿命: 10,000 cycles
6. 使用温度:  $-25^\circ\text{C}$  to  $80^\circ\text{C}$
7. 使用湿度:  $\leq 85\%$  RH
8. 操作力: 160gf 256gf 300gf 可定制
9. 手柄长度: 2mm-10mm 可定制

|     |              |                |     |           |                                |  |            |            |                          |
|-----|--------------|----------------|-----|-----------|--------------------------------|--|------------|------------|--------------------------|
| 8   |              |                |     |           | TOLERANCE<br>UNLESS SPECIFIED  |  |            |            |                          |
| 7   | STEEL BALL   | STEEL          | 1   | NATURAL   | WITHIN                         |  | A          | 2012-12-25 | 初板                       |
| 6   | SPRING       | STEEL WIRE     | 1   | NATURAL   | OVER                           |  | ISSUE      | DATE       | DESCRIPTIONS OF REVISION |
| 5   | CONTACT CLIP | PBS STRIP      | 2   | Ag PLATED | TITLE: HORIZONTAL SLIDE SWITCH |  | UNIT : mm  |            | DRWG NO.:                |
| 4   | TERMINAL     | BRASS STRIP    | 10  | Ag PLATED | MODEL:                         |  | SCALE: 2:1 |            | DWN                      |
| 3   | BASE         | PHENOLIC RESIN | 1   | BLACK     | 东莞市高迪电子有限公司                    |  | 2012-12-25 |            | 2012-12-25               |
| 2   | FRAME        | STEEL STRIP    | 1   | Ni PLATED |                                |  |            |            | CHK'D                    |
| 1   | KNOB         | POM            | 1   | BLACK     |                                |  |            |            | APPD                     |
| NO. | PARTS        | MATERIALS      | QTY | FINISH    |                                |  |            |            | 2012-12-25               |